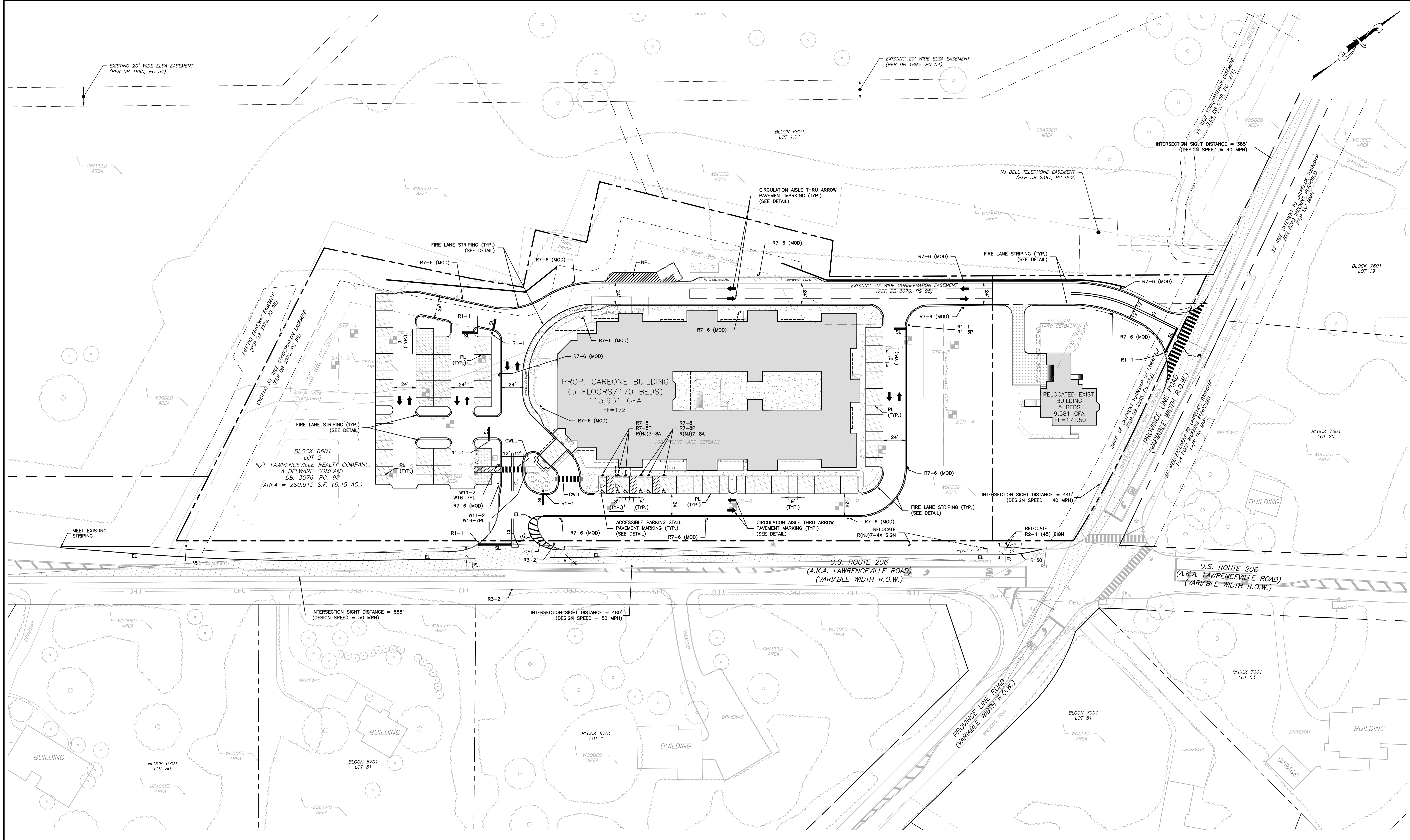


PROJECT INFORMATION:  
 FILE PATH: C:\PROJETS\COMA\00001\PlanA  
 FILE NAME: COMA00001-SEP.dwg  
 DATE: 06/27/22 09:48:00  
 LAST SAVE BY: C:\Users\jacob@andm.com

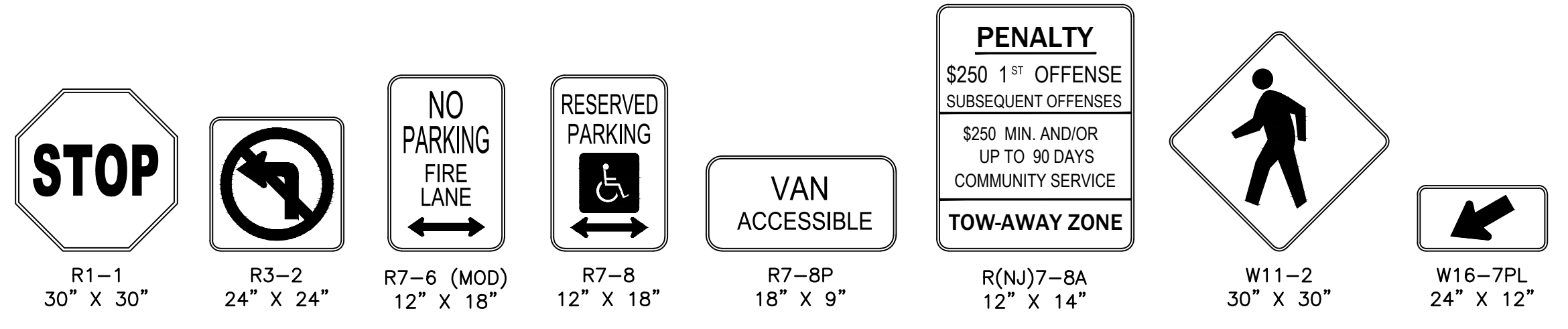


**STRIPING LEGEND:**

UNLESS OTHERWISE NOTED, STRIPING SHALL CONFORM TO THE FOLLOWING:

STRIPE	MATERIAL	DESCRIPTION	LEGEND
CENTER LINE	THERMOPLASTIC	TWO 4" WIDE YELLOW LINES, 6" CLEAR SPACE	CL
CROSS HATCH LINE	THERMOPLASTIC	12" WIDE WHITE LINES @ 45 DEGREES, SPACED 6' O.C.	CHL
CROSSWALK LONGITUDINAL LINE	THERMOPLASTIC	24" WIDE, 10' LONG WHITE LINES, SPACED 4' O.C.	CWLL
EDGE LINE	THERMOPLASTIC	4" WIDE WHITE LINE	EL
NO PARKING LINE	THERMOPLASTIC	4" WIDE WHITE LINE, AT 45°, SPACED 3' O.C.	NPL
PARKING LINE	THERMOPLASTIC	4" WIDE WHITE LINES	PL
STOP LINE	THERMOPLASTIC	24" WIDE WHITE LINE	SL

NOTE:  
 ALL PAVEMENT MARKING SYMBOLS SHALL BE OF THERMOPLASTIC MATERIAL.  
 (SEE CONSTRUCTION DETAIL FOR ADDITIONAL INFORMATION)



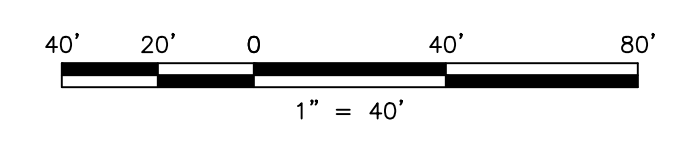
**SIGN LEGEND**  
 N.T.S.

**SYMBOL LEGEND:**

Sign ◻ EXISTING SIGN TO REMAIN UNLESS OTHERWISE SPECIFIED  
 SIGN ▼ PROPOSED SIGN

**NOTES:**

- CONTRACTOR SHALL VERIFY LOCATION OF ALL UNDERGROUND UTILITIES PRIOR TO INSTALLATION OF SIGNS.
- EXISTING SIGNS AND STRIPING SHALL REMAIN IN PLACE UNLESS OTHERWISE SPECIFIED ON THE PLAN.
- EXISTING STRIPING IN CONFLICT WITH PROPOSED STRIPING SHALL BE REMOVED BY THE METHOD OF HYDRO BLASTING.



NO.	DATE	REVISIONS	BY	CHKD
1.	6/28/22	REVISED PER TOWNSHIP COMPLETION REVIEW		
2.	4/7/23	REVISED PER 3/15/23 ZONING BOARD REVIEW COMMENTS		

**MICHAEL R. THOMAS, P.E.**  
 PROFESSIONAL ENGINEER

*MT* 4/7/23  
 LICENSED PROFESSIONAL ENGINEER  
 STATE OF NJ LICENSE NO. GE48086

CAREONE AT LAWRENCE  
 PRELIMINARY & FINAL SITE PLAN FOR CAREONE AT LAWRENCE  
 BLOCK 6601, LOT 2, LAWRENCE TOWNSHIP, MERCER COUNTY, NEW JERSEY  
 SIGNAGE AND STRIPING PLAN



11 TRINALL ROAD  
 MIDDLETOWN, NJ 07748  
 TEL: 732-671-6400  
 FAX: 732-671-7365

NEW JERSEY BOARD OF PROFESSIONAL ENGINEERS  
 AND LAND SURVEYORS  
 CERTIFICATE OF AUTHORIZATION REG-02078950

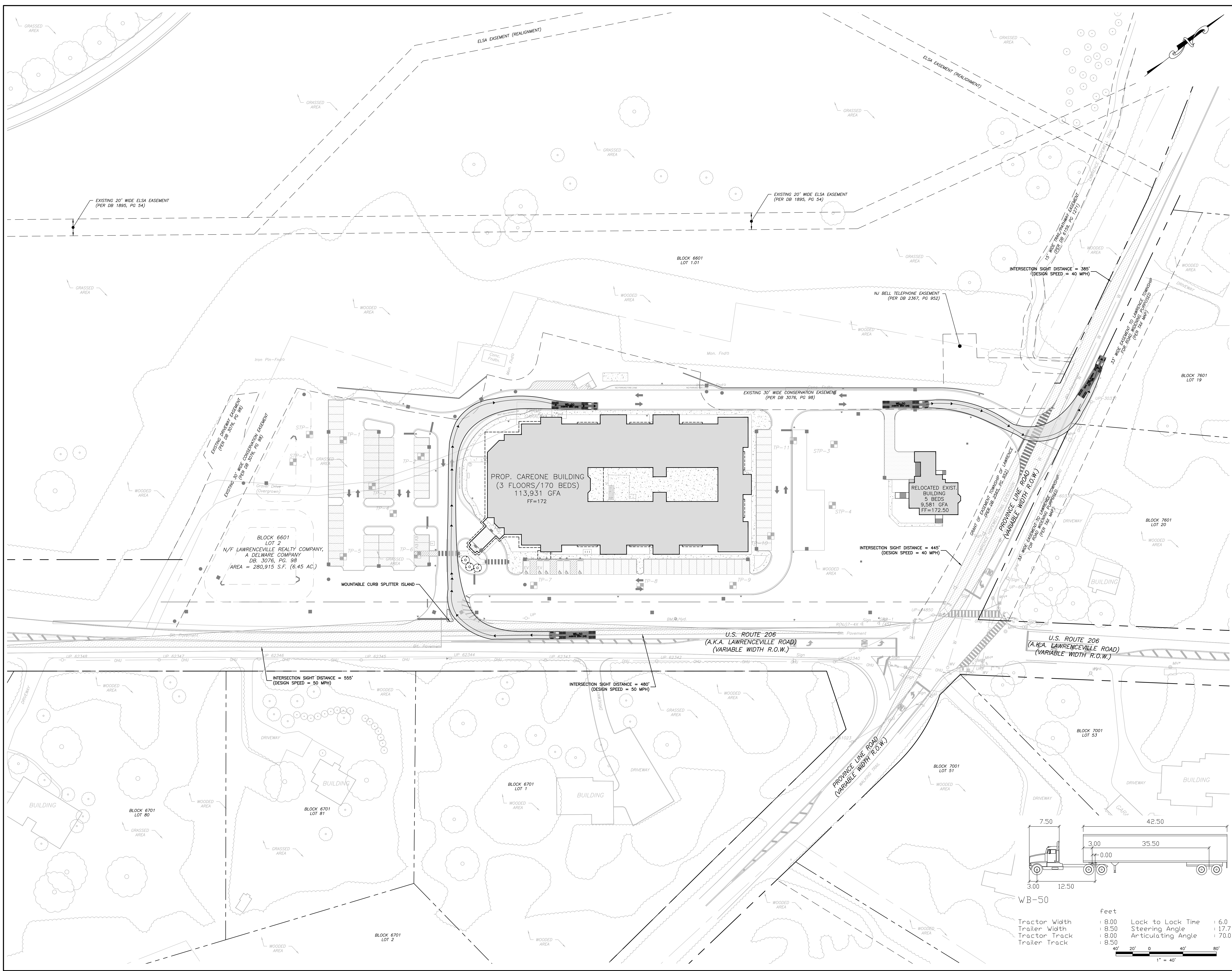
OFFICES LOCATED IN:  
 CALIFORNIA, INDIANA, KENTUCKY,  
 MASSACHUSETTS, MICHIGAN, NEW JERSEY,  
 OHIO AND PENNSYLVANIA

DESIGNED BY: CJD  
 CHECKED BY: BPK  
 DRAWN BY: CJD  
 DATE: 06/27/22  
 SCALE: AS SHOWN  
 PROJ. NO.: COMA00001

DRAWING: **SSP-1**  
 SHEET: **7**  
 OF **20**

PROJECT INFORMATION:  
 FILE PATH: G:\PROJECTS\COM\00001\PlanA  
 FILE NAME: COM00001-TTP-1.dwg  
 DATE: 05/27/22 10:48 AM  
 LAST SAVE BY: Dabakoz

CONTRACTOR: AND ASSOCIATES, ALL RIGHTS RESERVED. THE CONTENTS OF THIS DOCUMENT OR PORTIONS THEREOF, FOR OTHER THAN THE ORIGINAL PROJECT ASSOCIATES IS PROHIBITED. WITHOUT THE WRITTEN PERMISSION OF T&M ASSOCIATES IS PROHIBITED.



NO.	DATE	REVISIONS	BY	CHKD
3.	4/7/23	REVISED PER 3/15/23 ZONING BOARD REVIEW COMMENTS	CD	MRT
2.	2/3/23	REVISED PER ZONING BOARD REVIEW COMMENTS	DA	MRT
1.	6/28/22	REVISED PER TOWNSHIP COMPLETION REVIEW	KRR	MRT

**MICHAEL R. THOMAS, P.E.**  
 PROFESSIONAL ENGINEER

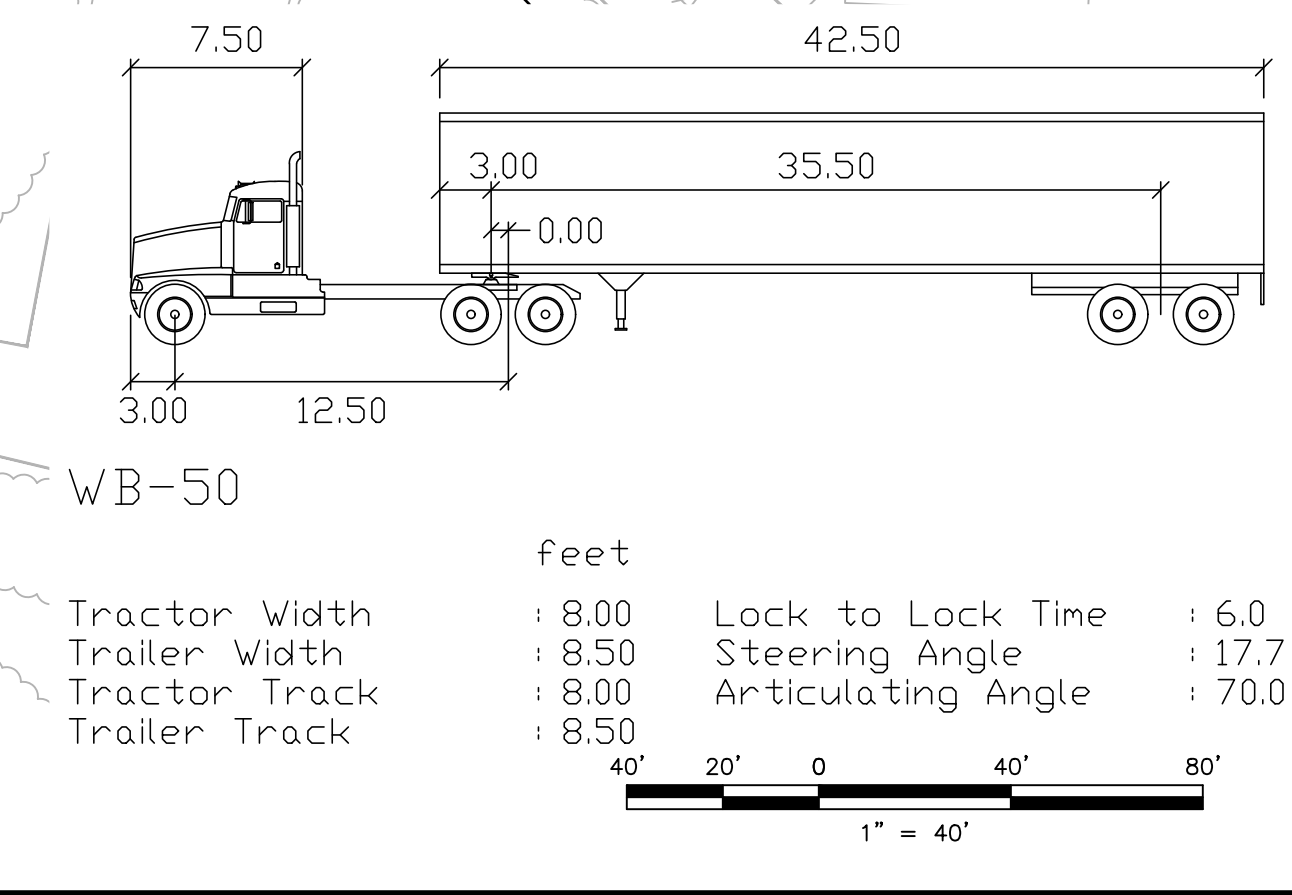
*MRT* 4/7/23  
 LICENSED PROFESSIONAL ENGINEER  
 STATE OF NJ LICENSE NO. GE48086

CAREONE AT LAWRENCE  
 PRELIMINARY & FINAL SITE PLAN FOR CAREONE AT LAWRENCE  
 BLOCK 6601, LOT 2, LAWRENCE TOWNSHIP, MERCER COUNTY, NEW JERSEY  
 TRUCK TURNING EXHIBIT - WB-50



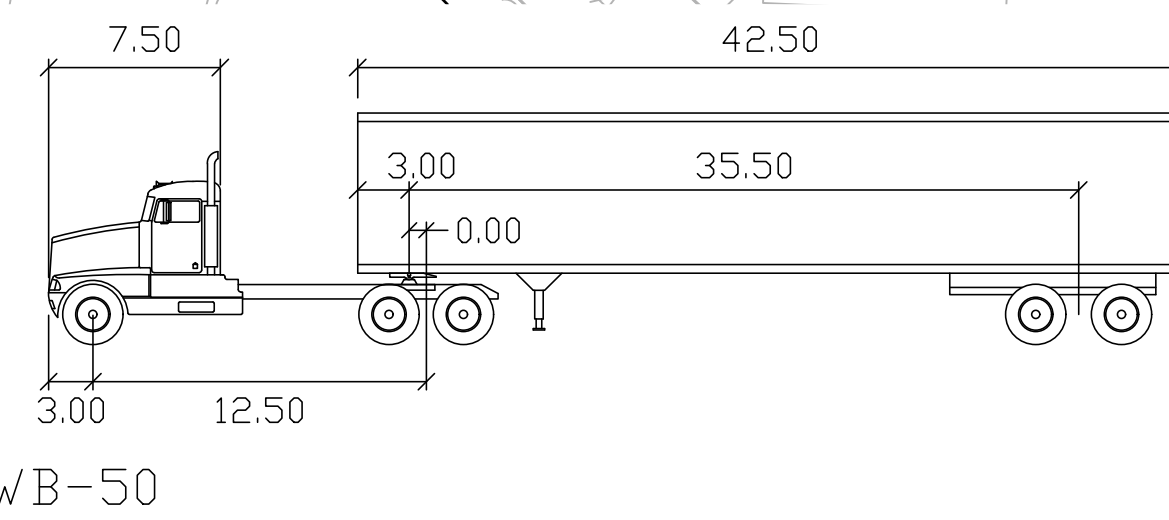
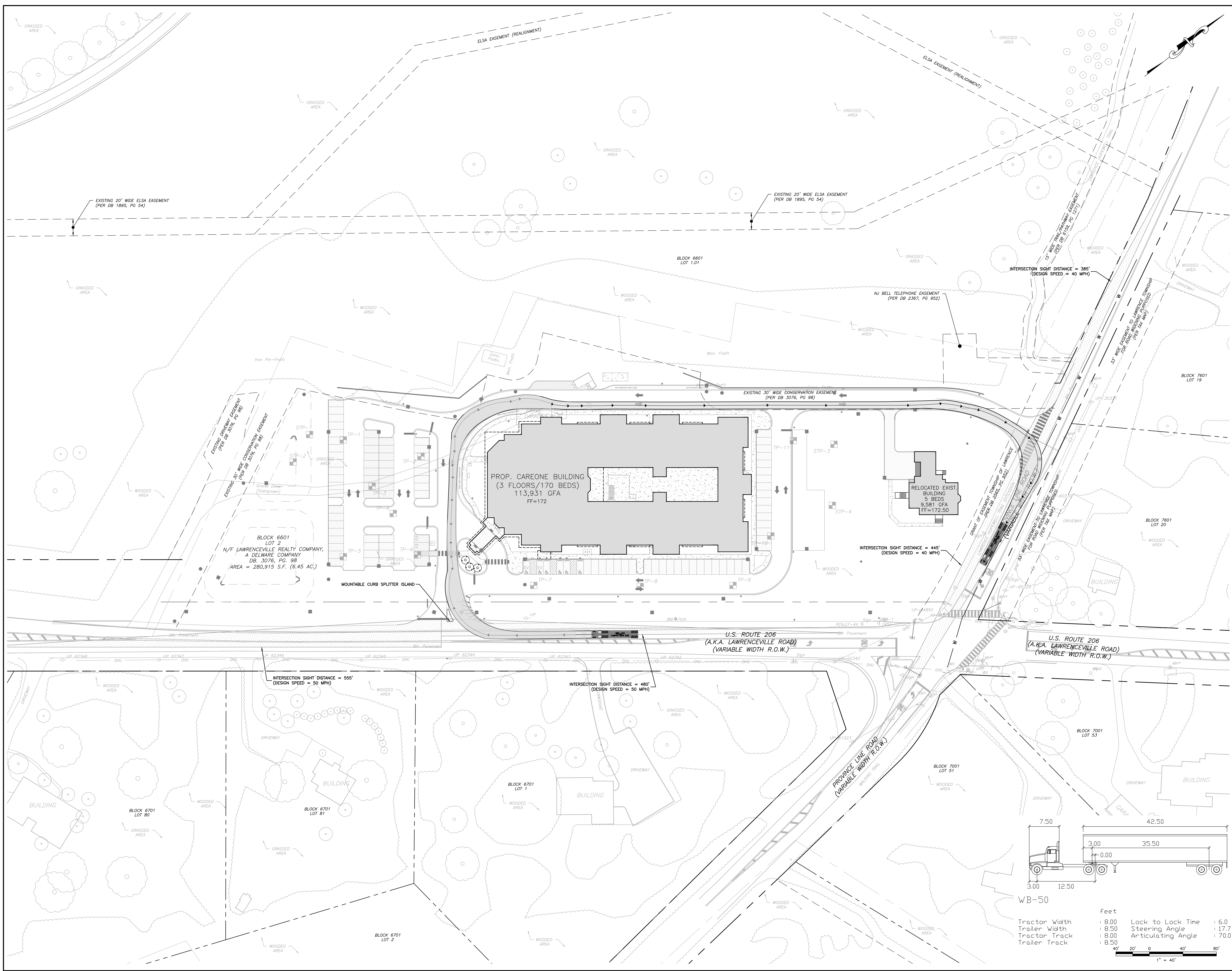
11 TINBALL ROAD  
 MIDDLETOWN, NJ 07748  
 TEL: 732-671-6400  
 FAX: 732-671-7265  
 www.landassociates.com  
 NEW JERSEY BOARD OF PROFESSIONAL ENGINEERS  
 AND LAND SURVEYORS  
 CERTIFICATE OF AUTHORIZATION 024207850

DESIGNED BY	KRR	DRAWING	TTP-1
CHECKED BY	MRT	SHEET	1
DRAWN BY	KRR	DATE	05/27/22
SCALE	AS SHOWN	PROJ. NO.	COM000001
			OF 7



PROJECT INFORMATION:  
 FILE PATH: C:\PROJETS\COM\00001\PlanA  
 FILE NAME: COM00001 - TTP-000  
 DATE: 05/27/22 10:48 AM  
 LAST SAVE BY: Dabakacz

CONTRACTOR: AND ASSOCIATES, ALL RIGHTS RESERVED. THE CONTENTS OF THIS DOCUMENT OR PORTIONS THEREOF, FOR OTHER THAN THE ORIGINAL PROJECT ASSOCIATES IS PROHIBITED. WITHOUT THE WRITTEN PERMISSION OF T&M ASSOCIATES IS PROHIBITED.



WB-50

Tractor Width	: 8.00	Lock to Lock Time	: 6.0
Tractor Width	: 8.50	Steering Angle	: 17.7
Tractor Track	: 8.00	Articulating Angle	: 70.0
Tractor Track	: 8.50		

feet

1" = 40'

NO.	DATE	REVISIONS	BY	CHKD
1.	6/28/22	REVISED PER TOWNSHIP COMPLETION REVIEW	MRT	
2.	7/2/23	REVISED PER ZONING BOARD REVIEW COMMENTS	DA	
3.	4/7/23	REVISED PER 3/15/23 ZONING BOARD REVIEW COMMENTS	CD	MRT

**MICHAEL R. THOMAS, P.E.**  
 PROFESSIONAL ENGINEER

*MRT* 4/7/23  
 LICENSED PROFESSIONAL ENGINEER  
 STATE OF NJ LICENSE NO. GE48086

CAREONE AT LAWRENCE  
 PRELIMINARY & FINAL SITE PLAN FOR CAREONE AT LAWRENCE  
 BLOCK 6601, LOT 2, LAWRENCE TOWNSHIP, MERCER COUNTY, NEW JERSEY  
 TRUCK TURNING EXHIBIT - WB-50

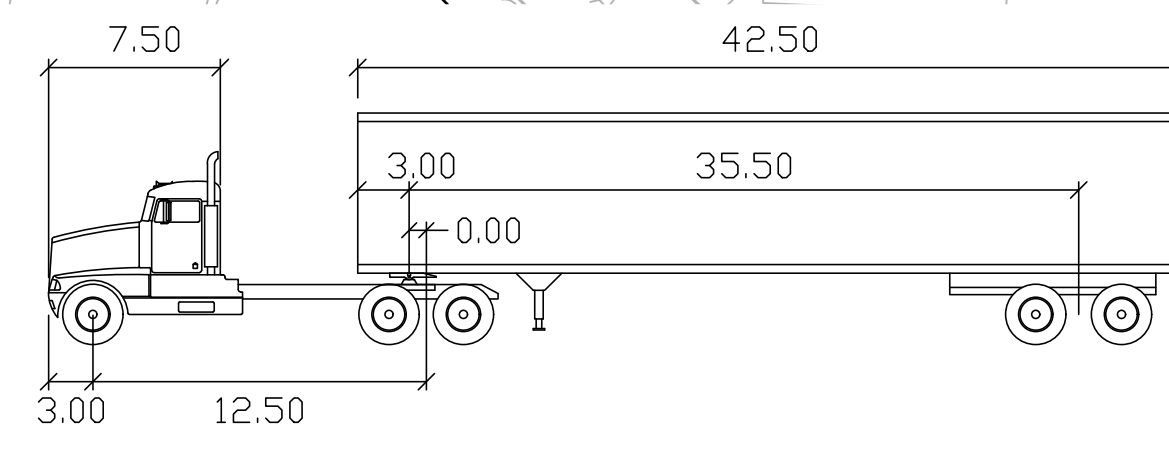
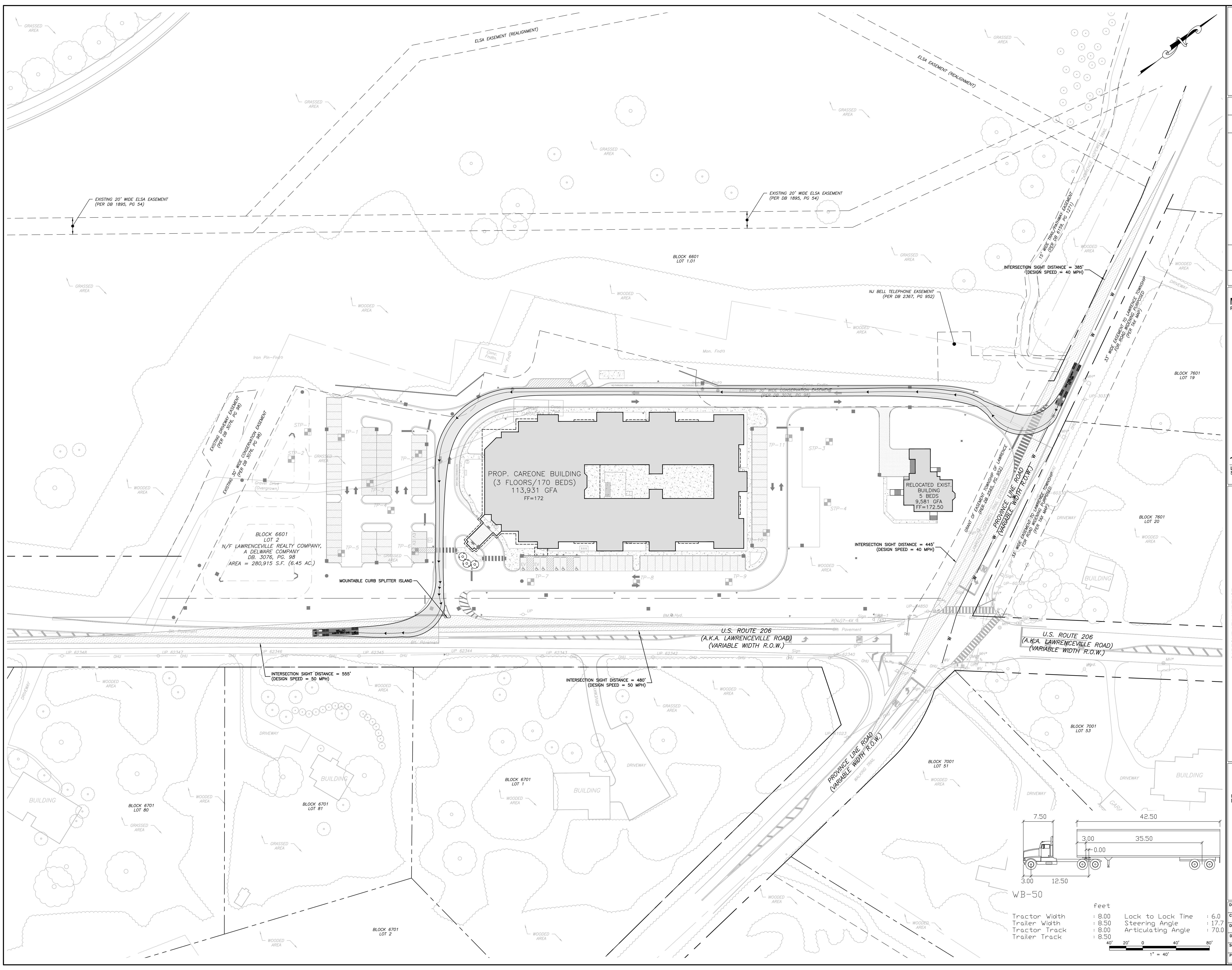


OFFICES LOCATED IN:  
 CALIFORNIA, INDIANA, KENTUCKY,  
 MASSACHUSETTS, MICHIGAN, NEW JERSEY,  
 OHIO AND PENNSYLVANIA

DESIGNED BY	KRR	DRAWING	TTP-2
CHECKED BY	MRT	SHEET	2
DRAWN BY	KRR	DATE	05/27/22
DATE	05/27/22	SCALE	AS SHOWN
PROJ. NO.	COM00001		OF 7

PROJECT INFORMATION:  
 FILE PATH: G:\PROJECTS\COM\00001\PlanA  
 FILE NAME: COM00001-TTP-3.dwg  
 DATE PLOTTED: 05/27/22 10:49 AM  
 LAST SAVE BY: Dabakacz

CONTRACTOR: AND ASSOCIATES, ALL RIGHTS RESERVED. THE COPIES OR REUSE OF THIS DOCUMENT OR PORTIONS THEREOF, FOR OTHER THAN THE ORIGINAL PROJECT PURPOSE, ORIGINALLY INTENDED, WITHOUT THE WRITTEN PERMISSION OF T&M ASSOCIATES IS PROHIBITED.



WB-50

Tractor Width	: 8.00	Lock to Lock Time	: 6.0
Tractor Length	: 8.50	Steering Angle	: 17.7
Tractor Track	: 8.00	Articulating Angle	: 70.0
Trailer Track	: 8.50		

feet

1" = 40'

NO.	DATE	REVISIONS	BY	CHKD
1.	6/28/22	REVISED PER TOWNSHIP COMPLETION REVIEW	MRT	
2.	7/2/23	REVISED PER ZONING BOARD REVIEW COMMENTS	DA	
3.	4/7/23	REVISED PER 3/15/23 ZONING BOARD REVIEW COMMENTS	CD	MRT

**MICHAEL R. THOMAS, P.E.**  
 PROFESSIONAL ENGINEER

*MRT* 4/7/23  
 LICENSED PROFESSIONAL ENGINEER  
 STATE OF NJ LICENSE NO. GE48086

CAREONE AT LAWRENCE  
 PRELIMINARY & FINAL SITE PLAN FOR CAREONE AT LAWRENCE  
 BLOCK 6601, LOT 2, LAWRENCE TOWNSHIP, MERCER COUNTY, NEW JERSEY  
 TRUCK TURNING EXHIBIT - WB-50

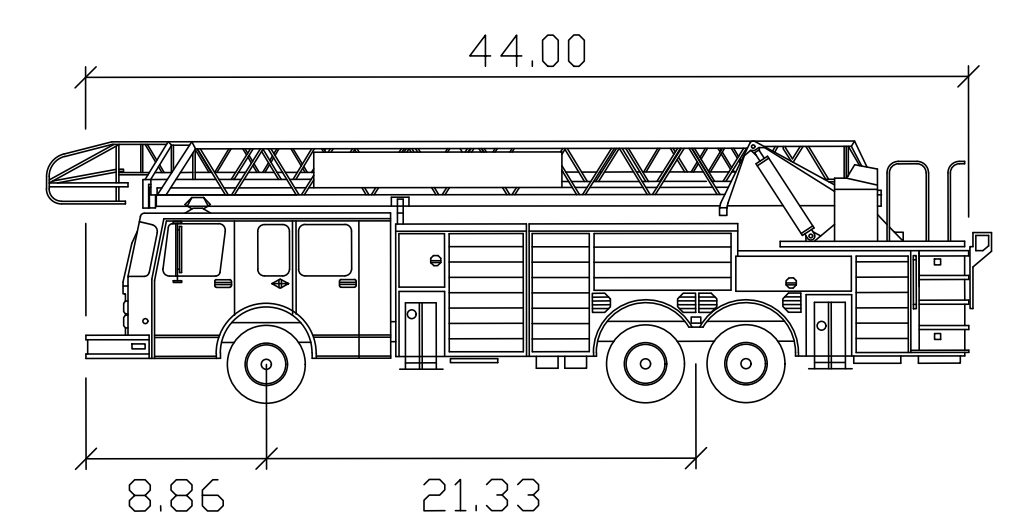
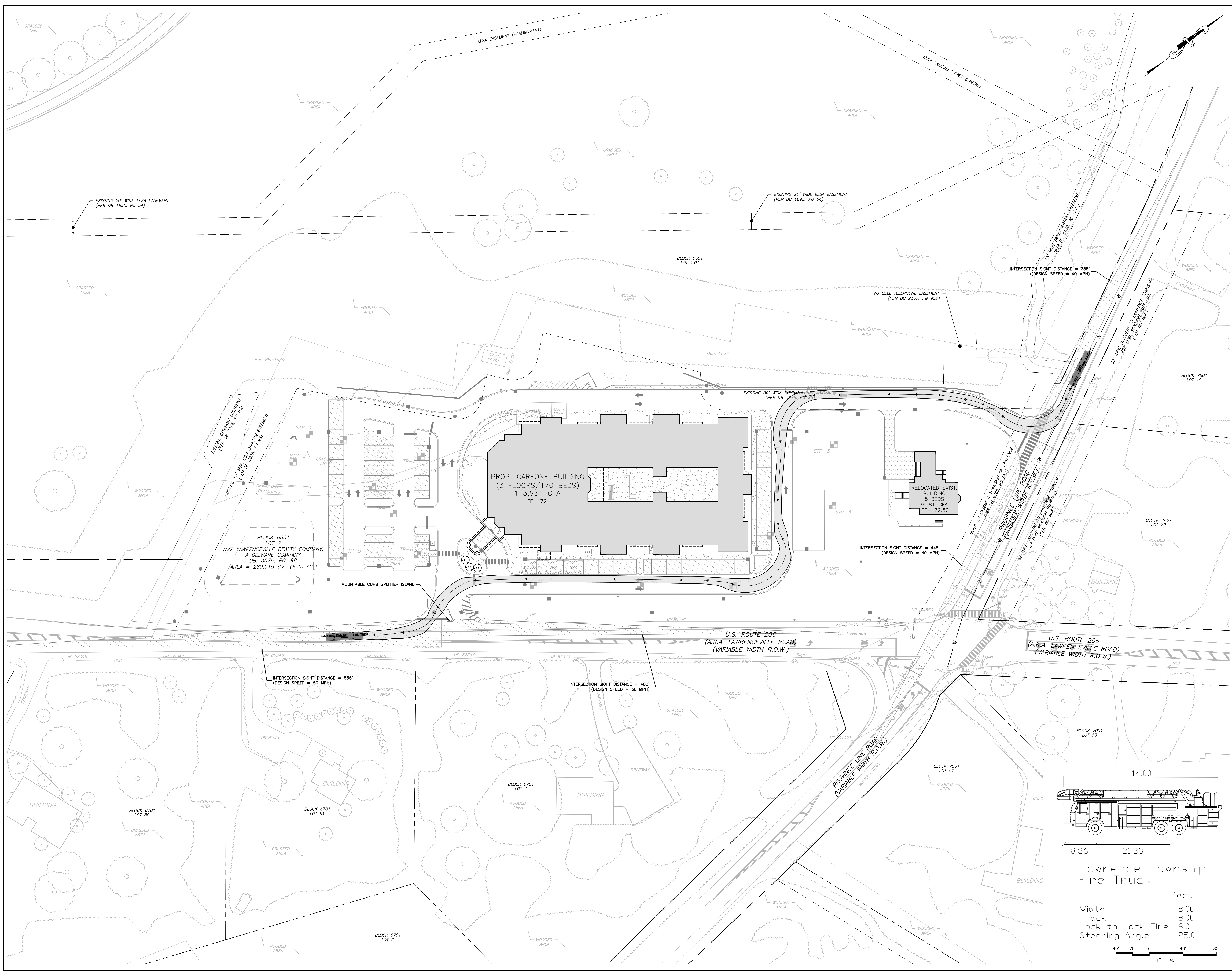


OFFICES LOCATED IN:  
 CALIFORNIA, INDIANA, KENTUCKY,  
 MASSACHUSETTS, MICHIGAN, NEW JERSEY,  
 OHIO AND PENNSYLVANIA

DESIGNED BY	KRR	DRAWING	TTP-3
CHECKED BY	MRT	SHEET	3
DRAWN BY	KRR	DATE	05/27/22
SCALE	AS SHOWN	PROJ. NO.	COM000001
		OF	7

PROJECT INFORMATION:  
 FILE PATH: C:\PROJETS\COM\00001\PlanA  
 FILE NAME: COM00001 - TTP.dwg  
 DATE: 05/27/22 10:48 AM  
 LAST SAVE BY: Dabakacz

CONTRACTOR: LAND ASSOCIATES, ALL RIGHTS RESERVED. THE COPIES OR USE OF THIS DOCUMENT OR PORTIONS THEREOF, FOR OTHER THAN THE ORIGINAL PROJECT PURPOSE, ORIGINALLY INTENDED, WITHOUT THE WRITTEN PERMISSION OF LAND ASSOCIATES IS PROHIBITED.



Lawrence Township - Fire Truck

feet

Width : 8.00  
 Track : 8.00  
 Lock to Lock Time : 6.0  
 Steering Angle : 25.0

44.00  
 8.86 21.33

0' 20' 40' 80'  
 1" = 40'

NO.	DATE	BY	REVISIONS
1.	6/28/22	MRT	REVISED PER TOWNSHIP COMPLETION REVIEW
2.	7/2/23	DA	REVISED PER ZONING BOARD REVIEW COMMENTS
3.	4/7/23	CD	REVISED PER 3/15/23 ZONING BOARD REVIEW COMMENTS

MICHAEL R. THOMAS, P.E.  
 PROFESSIONAL ENGINEER

*MRT* 4/7/23  
 LICENSED PROFESSIONAL ENGINEER  
 STATE OF NJ LICENSE NO. GE48086

CAREONE AT LAWRENCE  
 PRELIMINARY & FINAL SITE PLAN FOR CAREONE AT LAWRENCE  
 BLOCK 6601, LOT 2, LAWRENCE TOWNSHIP, MERCER COUNTY, NEW JERSEY  
 TRUCK TURNING EXHIBIT - FIRE TRUCK

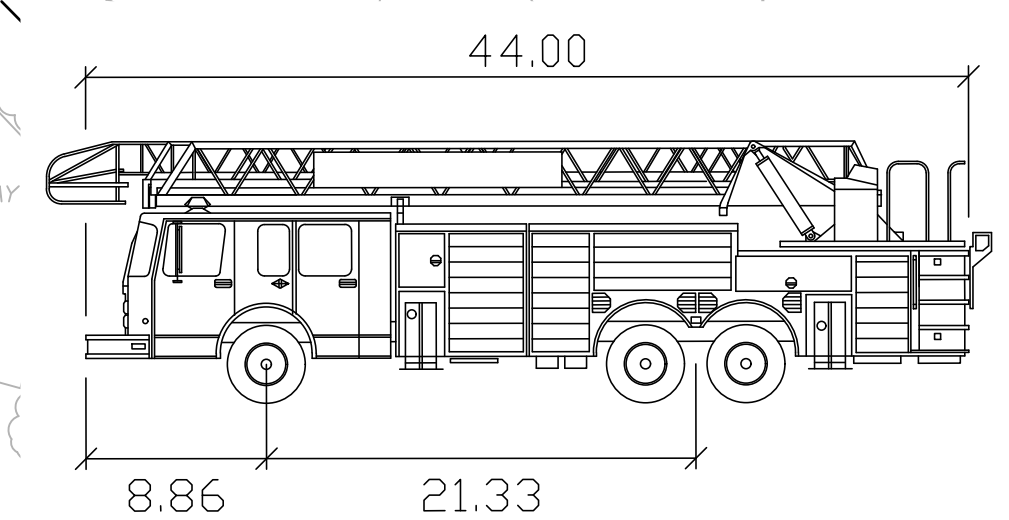
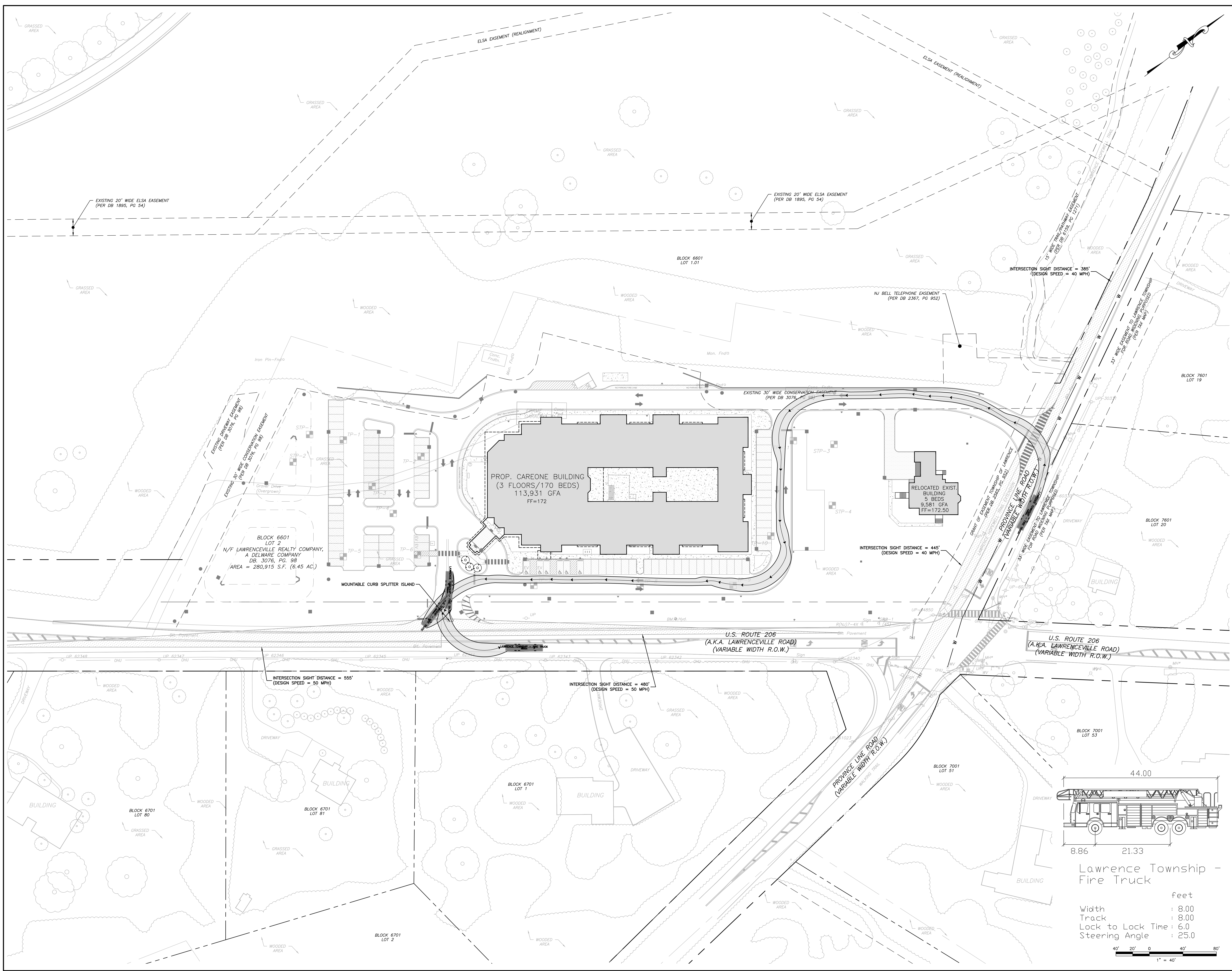
**LAND AND**  
 YOUR GOALS. OUR MISSION.

11 TINBALL ROAD  
 MIDDLETOWN, NJ 07748  
 TEL: 732-671-6400  
 FAX: 732-671-7265  
 www.landandassociates.com  
 NEW JERSEY BOARD OF PROFESSIONAL ENGINEERS  
 AND LAND SURVEYORS  
 CERTIFICATE OF AUTHORIZATION 026297000

DESIGNED BY	KRR	DRAWING	TTP-4
CHECKED BY	MRT	SHEET	4
DRAWN BY	KRR	DATE	05/27/22
DATE	05/27/22	SCALE	AS SHOWN
SCALE	AS SHOWN	PROJ. NO.	COM000001
PROJ. NO.	COM000001	OF	7

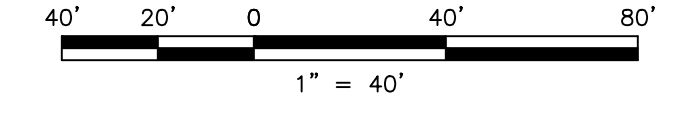
PROJECT INFORMATION:  
 FILE PATH: C:\PROJETS\COM\00001\PlanA  
 FILE NAME: COM00001 - TTP-5.dwg  
 DATE: 05/27/22 10:48 AM  
 LAST SAVE BY: Dabakaziz

CONTRACTOR: LAND ASSOCIATES, ALL RIGHTS RESERVED. THE COPIES OR USE OF THIS DOCUMENT OR PORTIONS THEREOF, FOR OTHER THAN THE ORIGINAL PROJECT PURPOSE, ORIGINALLY INTENDED, WITHOUT THE WRITTEN PERMISSION OF LAND ASSOCIATES IS PROHIBITED.



Lawrence Township - Fire Truck

Width	: 8.00
Track	: 8.00
Lock to Lock Time	: 6.0
Steering Angle	: 25.0



NO.	DATE	BY	CHKD	REVISIONS
1.	6/28/22	MRT	KRR	REVISED PER TOWNSHIP COMPLETION REVIEW
2.	7/2/23	DA	MRT	REVISED PER ZONING BOARD REVIEW COMMENTS
3.	4/7/23	CD	MRT	REVISED PER 3/15/23 ZONING BOARD REVIEW COMMENTS

MICHAEL R. THOMAS, P.E.  
 PROFESSIONAL ENGINEER

*MRT* 4/7/23  
 LICENSED PROFESSIONAL ENGINEER  
 STATE OF NJ LICENSE NO. GE48086

CAREONE AT LAWRENCE  
 PRELIMINARY & FINAL SITE PLAN FOR CAREONE AT LAWRENCE  
 BLOCK 6601, LOT 2, LAWRENCE TOWNSHIP, MERCER COUNTY, NEW JERSEY  
 TRUCK TURNING EXHIBIT - FIRE TRUCK

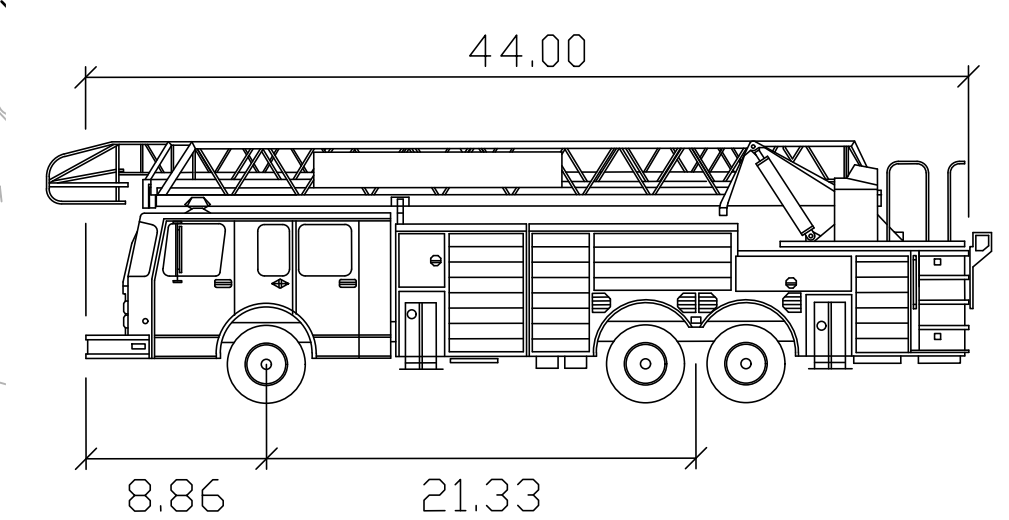
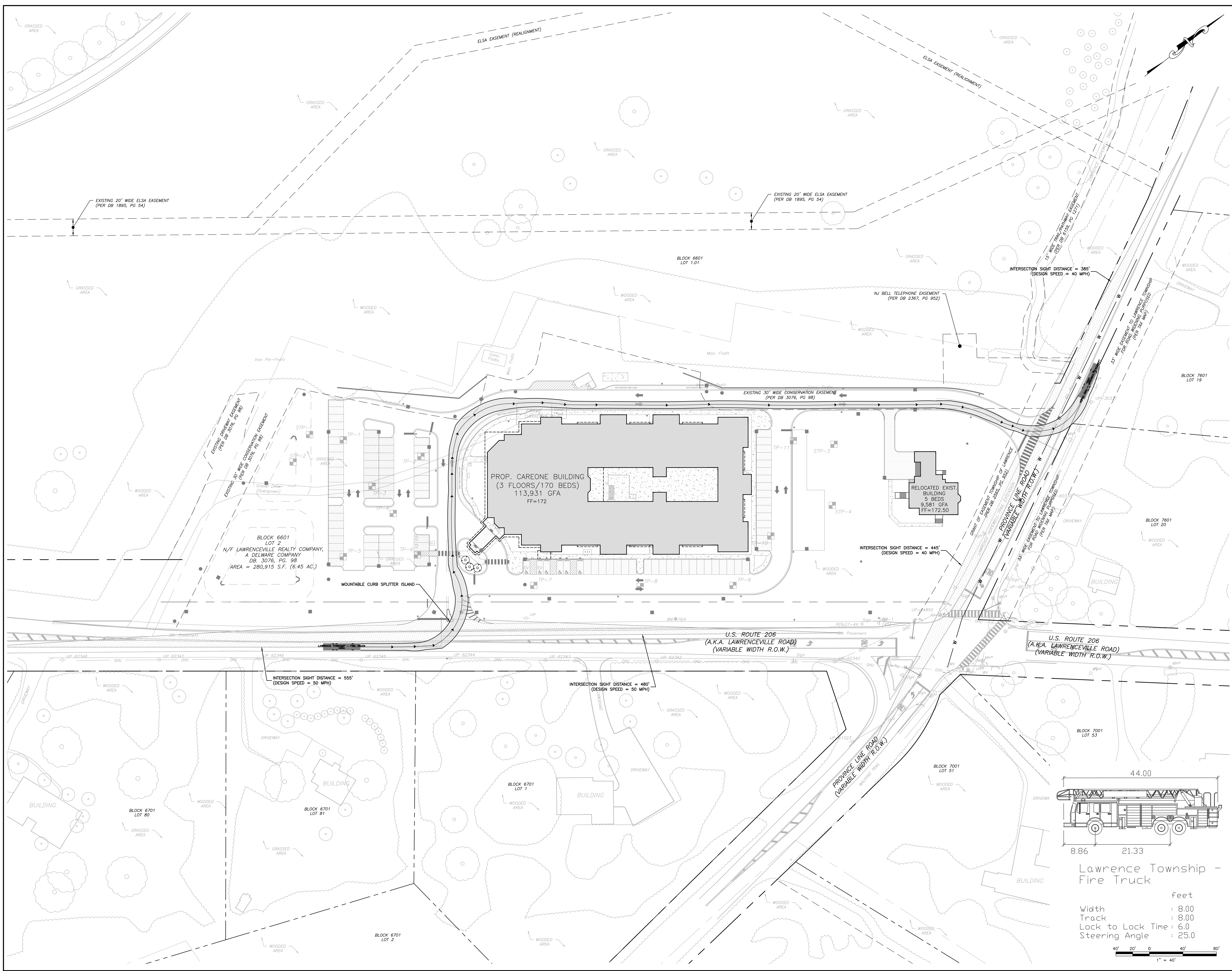
LAND AND ASSOCIATES  
 YOUR GOALS. OUR MISSION.  
 11 TINBALL ROAD  
 MIDDLETOWN, NJ 07748  
 TEL: 732-671-6400  
 FAX: 732-671-7265  
 www.landandassociates.com  
 NEW JERSEY BOARD OF PROFESSIONAL ENGINEERS  
 AND LAND SURVEYORS  
 CERTIFICATE OF AUTHORIZATION 0242970050

OFFICES LOCATED IN:  
 CALIFORNIA, INDIANA, KENTUCKY,  
 MASSACHUSETTS, MICHIGAN, NEW JERSEY,  
 OHIO AND PENNSYLVANIA

DESIGNED BY	KRR	DRAWING	TTP-5
CHECKED BY	MRT	SHEET	5
DRAWN BY	KRR	DATE	05/27/22
SCALE	AS SHOWN	PROJ. NO.	COM000001
			OF 7

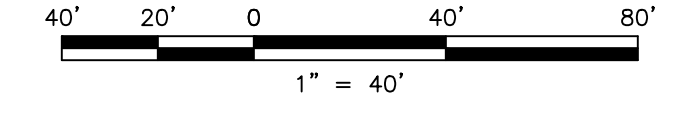
PROJECT INFORMATION:  
 FILE PATH: C:\PROJETS\COM\00001\PlanA  
 FILE NAME: COM00001 - TTP.dwg  
 DATE: 05/27/22 10:48 AM  
 LAST SAVE BY: Dabakaziz

CONTRACTOR'S ASSOCIATES - ALL RIGHTS RESERVED. THE COPIES OR USE OF THIS DOCUMENT OR PORTIONS THEREOF, FOR OTHER THAN THE ORIGINAL PROJECT PURPOSE, ORIGINALLY INTENDED, WITHOUT THE WRITTEN PERMISSION OF T&M ASSOCIATES IS PROHIBITED.



Lawrence Township - Fire Truck

Width	: 8.00
Track	: 8.00
Lock to Lock Time	: 6.0
Steering Angle	: 25.0



NO.	DATE	BY	REVISIONS
1.	6/28/22	MRT	REVISED PER TOWNSHIP COMPLETION REVIEW
2.	7/3/23	DA	REVISED PER ZONING BOARD REVIEW COMMENTS
3.	4/7/23	CD	REVISED PER 3/15/23 ZONING BOARD REVIEW COMMENTS
		MRT	
		CD	

**MICHAEL R. THOMAS, P.E.**  
 PROFESSIONAL ENGINEER

*MRT* 4/7/23  
 LICENSED PROFESSIONAL ENGINEER  
 STATE OF NJ LICENSE NO. GE48086

CAREONE AT LAWRENCE  
 PRELIMINARY & FINAL SITE PLAN FOR CAREONE AT LAWRENCE  
 BLOCK 6601, LOT 2, LAWRENCE TOWNSHIP, MERCER COUNTY, NEW JERSEY  
 TRUCK TURNING EXHIBIT - FIRE TRUCK

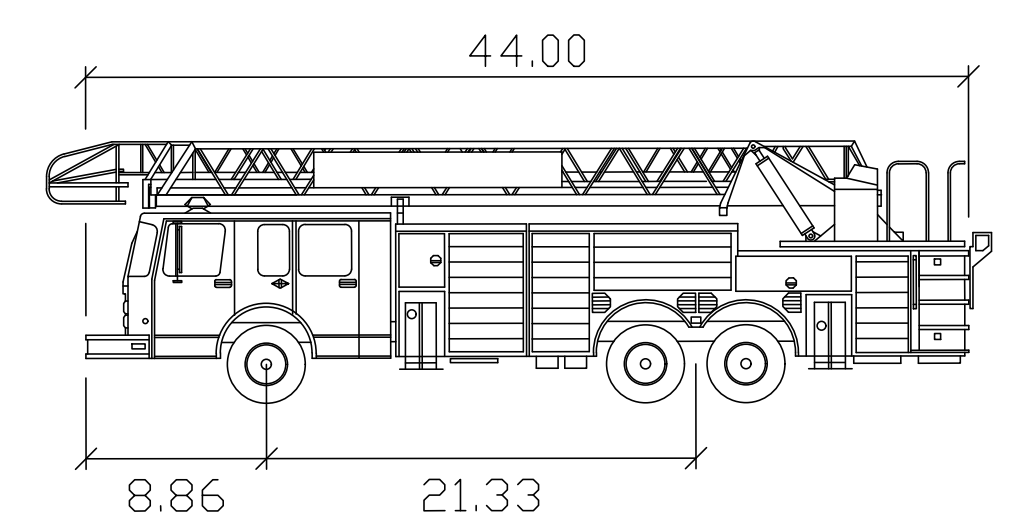
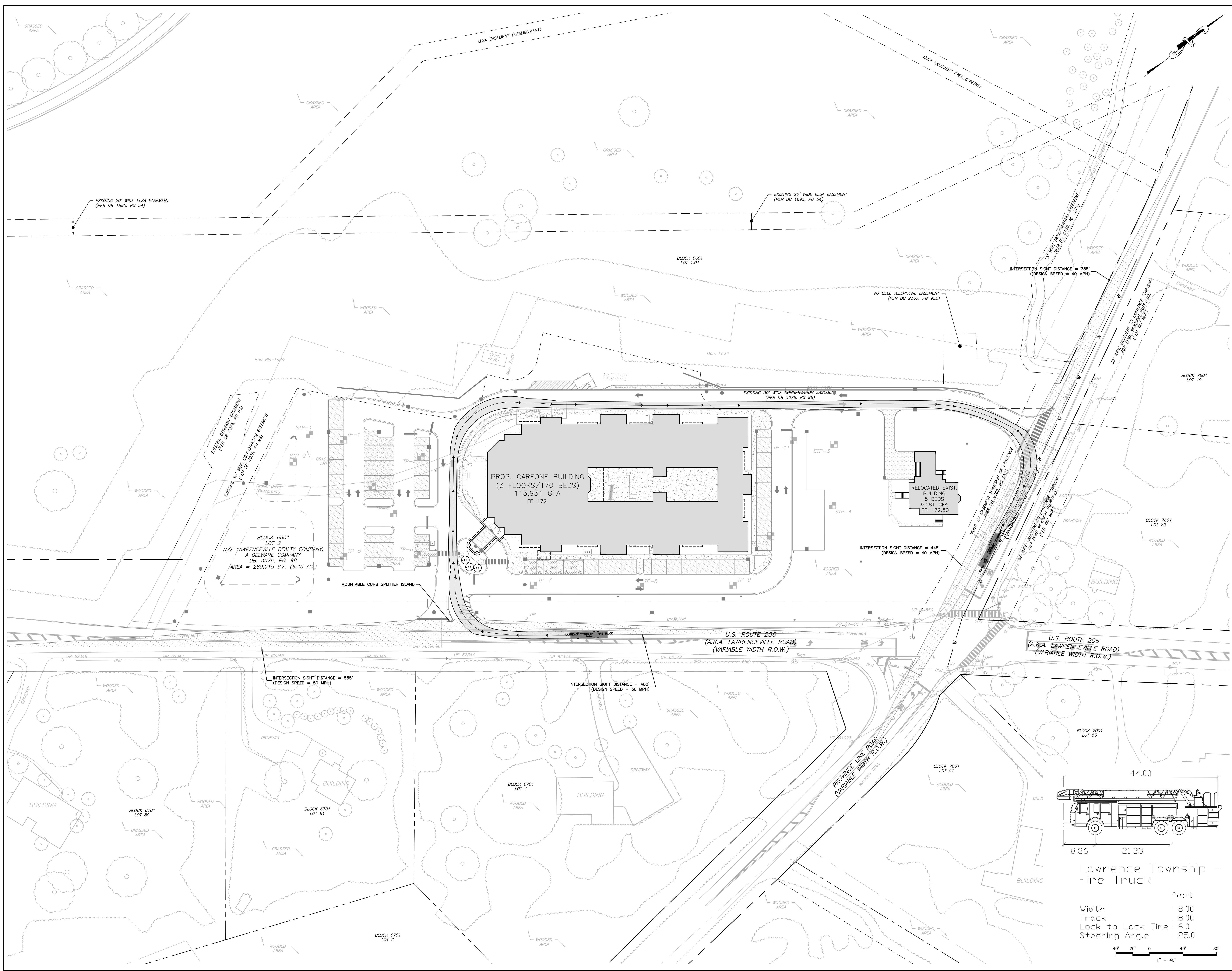
**T&M ASSOCIATES**  
 YOUR GOALS. OUR MISSION.  
 11 TINBALL ROAD  
 MIDDLETOWN, NJ 07748  
 TEL: 732-671-6400  
 FAX: 732-671-7265  
 www.landandassociates.com  
 NEW JERSEY BOARD OF PROFESSIONAL ENGINEERS  
 AND LAND SURVEYORS  
 CERTIFICATE OF AUTHORIZATION 024029050

OFFICES LOCATED IN:  
 CALIFORNIA, INDIANA, KENTUCKY,  
 MASSACHUSETTS, MICHIGAN, NEW JERSEY,  
 OHIO AND PENNSYLVANIA

DESIGNED BY	KRR	DRAWING	
CHECKED BY	MRT	<b>TTP-6</b>	
DRAWN BY	KRR	SHEET	
DATE	05/27/22	<b>6</b>	
SCALE	AS SHOWN		
PROJ. NO.	COM000001	OF	7

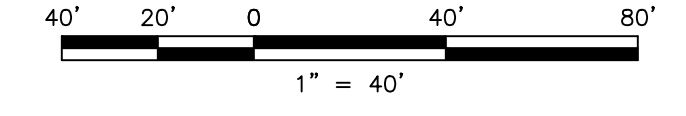
PROJECT INFORMATION:  
 FILE PATH: C:\PROJETS\COM\00001\PlanA  
 FILE NAME: COM00001 - TTP-07.dwg  
 DATE PLOTTED: 05/27/22 10:49 AM  
 LAST SAVE BY: Dabakaziz

CONTRACTOR: LAND ASSOCIATES, ALL RIGHTS RESERVED. THE COPIES OR USE OF THIS DOCUMENT OR PORTIONS THEREOF, FOR OTHER THAN THE ORIGINAL PROJECT PURPOSE, ORIGINALLY INTENDED, WITHOUT THE WRITTEN PERMISSION OF LAND ASSOCIATES IS PROHIBITED.



Lawrence Township - Fire Truck

Width	: 8.00
Track	: 8.00
Lock to Lock Time	: 6.0
Steering Angle	: 25.0



NO.	DATE	BY	REVISIONS
1.	6/28/22	MRT	REVISED PER TOWNSHIP COMPLETION REVIEW
2.	7/3/23	DA	REVISED PER ZONING BOARD REVIEW COMMENTS
3.	4/7/23	CD	REVISED PER 3/15/23 ZONING BOARD REVIEW COMMENTS

MICHAEL R. THOMAS, P.E.  
 PROFESSIONAL ENGINEER

*MRT* 4/7/23  
 LICENSED PROFESSIONAL ENGINEER  
 STATE OF NJ LICENSE NO. GE48086

CAREONE AT LAWRENCE  
 PRELIMINARY & FINAL SITE PLAN FOR CAREONE AT LAWRENCE  
 BLOCK 6601, LOT 2, LAWRENCE TOWNSHIP, MERCER COUNTY, NEW JERSEY  
 TRUCK TURNING EXHIBIT - FIRE TRUCK

YOUR GOALS. OUR MISSION.

11 TINBALL ROAD  
 MIDDLETOWN, NJ 07748  
 TEL: 732-671-6400  
 FAX: 732-671-7265  
 www.landandassociates.com  
 NEW JERSEY BOARD OF PROFESSIONAL ENGINEERS  
 AND LAND SURVEYORS  
 CERTIFICATE OF AUTHORIZATION 262429700

OFFICES LOCATED IN:  
 CALIFORNIA, INDIANA, KENTUCKY,  
 MASSACHUSETTS, MICHIGAN, NEW JERSEY,  
 OHIO AND PENNSYLVANIA

DESIGNED BY	KRR	DRAWING	
CHECKED BY	MRT		<b>TTP-7</b>
DRAWN BY	KRR	SHEET	
DATE	05/27/22		<b>7</b>
SCALE	AS SHOWN		
PROJ. NO.	COM000001	OF	<b>7</b>